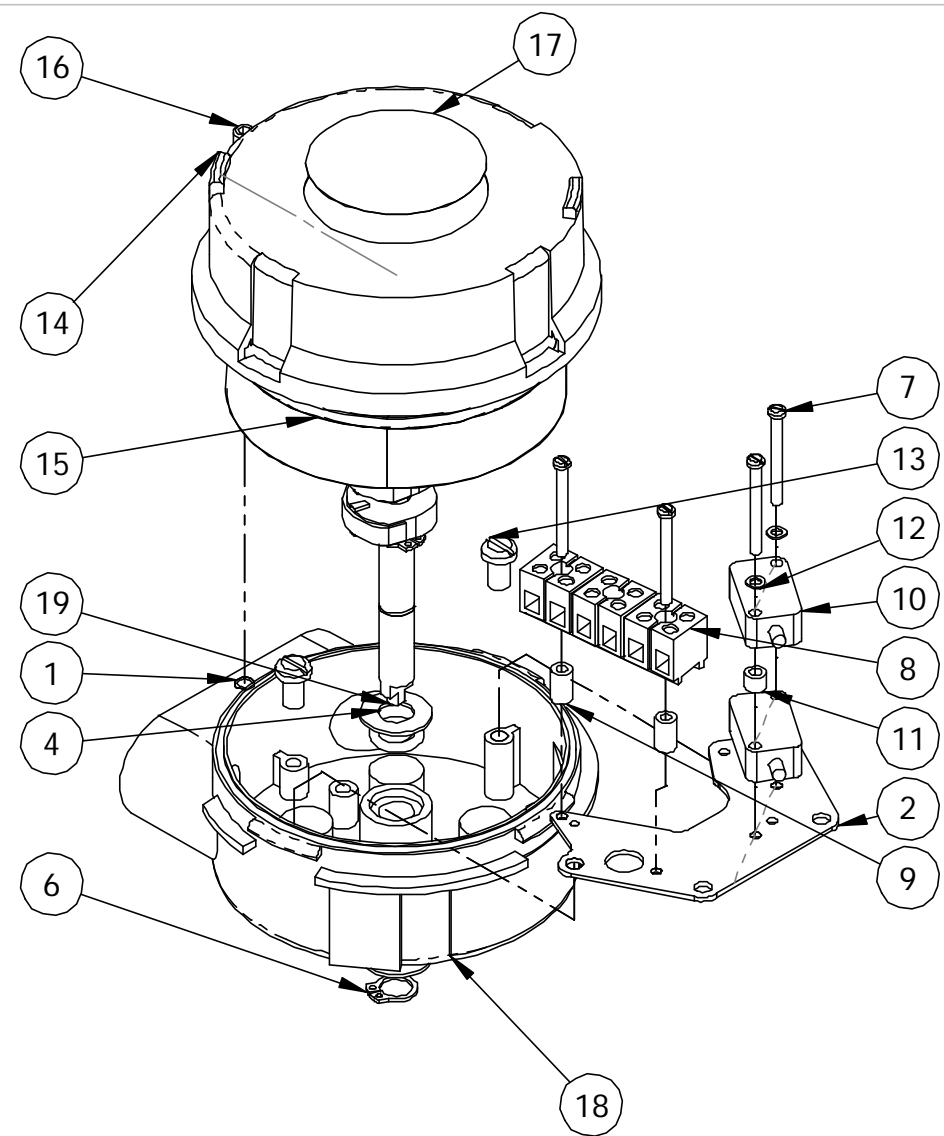


ITEM NO.	PART NUMBER	DESCRIPTION	Explode/QTY.
1	C100002	SLR Housing - 2 x M20	1
2	B130001	SLR Switch Plate	1
3	A170003	SLR Housing O-Ring	1
4	A100007	M10 Form Flat Washer	2
5	A170002	O-Ring ID 9.92mm CS 2.62mm	2
6	A100008	Circlip - 10mm Shaft	1
7	A100015	M3 x 30 Pan Hd	4
8	A110009	MK3-6 Terminal Block - Blue	1
9	A120001	10mm Terminal Spacer	2
10	A140003	V3 Proximity - NJ2-V3-N	2
11	A120008	5mm Plastic Spacer	2
12	A100019	M3 Lockwasher SS	2
13	A100017	M5 x 10 Pan Head SS	2
14	C110001	SLR Cover Assembly	1
15	C110002	Red-Green SLR Indicator Assembly	1
16	A100003	M4 x 8 Skt Hd SS Screw	1
17	A160105	SLRxx - Top Label-ATEX	1
18	A160116	ATEX - 'W' Label	1
19	C120003	25mm Mechanical Shaft - Prox	1



REV	DRAWN	DATE	CHK'D	ECO
	PT	23.5.04		
-				

UNLESS OTHERWISE SPECIFIED:
DIMENSIONS ARE IN MILLIMETERS
SURFACE FINISH:
TOLERANCES:
LINEAR:
ANGULAR:

TITLE:
SLR w/ 2 x NJ2-V3-N - ATEX

This private & confidential drawing is the property of Imtex Controls Limited, Tonbridge, UK and cannot be copied or reproduced without the express written permission of the Company.

Imtex Controls Limited
Unit 5A, Valley Industries, Hadlow Road
Tonbridge, Kent, TN11 0AH, United Kingdom
Tel: +44(0)1732-850360 Fax: +44(0)1732-852133
Website: www.imtex-controls.com

DEBUR AND BREAK SHARP EDGES
MATERIAL:
WEIGHT(g):

DWG NO. **SLR4205MR-WOO** A4
SCALE:1:1 SHEET 1 OF 1