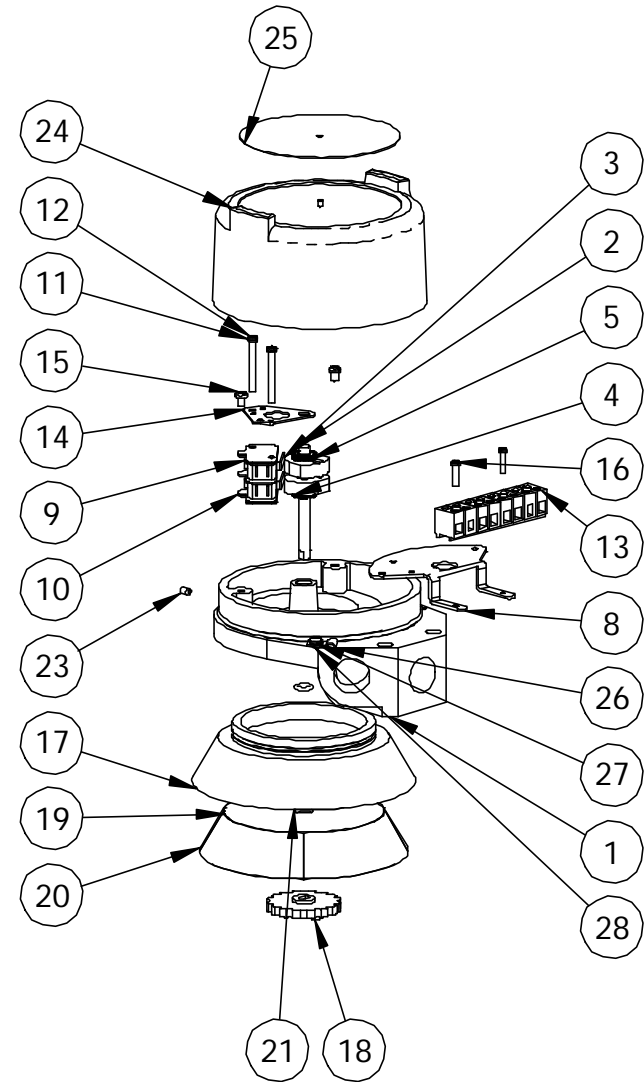


| ITEM NO. | PART NUMBER | DESCRIPTION | Default/QTY. |
|----------|-------------|---------------------------|--------------|
| 1 | C100107 | | 1 |
| 2 | B120044 | EQ/AQ/IQ Shaft - 2 x Mech | 1 |
| 3 | B120003 | Cam | 2 |
| 4 | B120004 | Standard Spline | 2 |
| 5 | B120006 | Roll Pin | 2 |
| 6 | 407001 | Housing O-Ring | 1 |
| 7 | 407003 | Shaft O-Ring | 2 |
| 8 | B130015 | V3 Plate | 1 |
| 9 | A140001 | V3 Mechanical | 2 |
| 10 | 413001 | Switch Insulator | 5 |
| 11 | A100019 | M3 Lockwasher SS | 2 |
| 12 | A100015 | M3 x 30 Pan Hd | 2 |
| 13 | A110008 | MK3-8 Terminal Block | 1 |
| 14 | 411004 | Switch Top Plate | 1 |
| 15 | A100098 | M4 x 5 Pan Hd SS | 2 |
| 16 | A100164 | M3 x 12 Pan Hd Screw | 2 |
| 17 | 402039 | Outer Indicator | 1 |
| 18 | 403045 | Drive Piece | 1 |
| 19 | 404003 | Inner Indicator Drum | 1 |
| 20 | 416039 | Inner Indicator Label | 1 |
| 21 | 416142 | Outer Indicator Label | 2 |
| 22 | 407004 | Indicator O-Ring | 1 |
| 23 | A100096 | M4 x 8 Set Screw | 1 |
| 24 | C110102 | | 1 |
| 25 | A160103 | IQ Generic Plate | 1 |
| 26 | 9101702 | External Earth Clamp | 1 |
| 27 | 9101703 | M4 x 8 Pan Head SS Screw | 1 |
| 28 | 9101704 | M4 Lockwasher SS | 2 |
| 29 | 408002 | Set Screw | 1 |



| REV | DRAWN | DATE | CHK'D | ECO |
|-----|-------|--------|-------|-----|
| | PT | 1.3.04 | | |
| - | | | | |
| | | | | |

UNLESS OTHERWISE SPECIFIED:
DIMENSIONS ARE IN MILLIMETERS
SURFACE FINISH:
TOLERANCES:
LINEAR:
ANGULAR:

TITLE:

Valve Position Monitor

This private & confidential drawing is the property of Imtex Controls Limited, Tonbridge, UK and cannot be copied or reproduced without the express written permission of the Company.

Imtex Controls Limited
Unit 5A, Valley Industries, Hadlow Road
Tonbridge, Kent, TN11 0AH, United Kingdom
Tel: +44(0)1732-850360 Fax: +44(0)1732-852133
Website: www.imtex-controls.com

DEBUR AND
BREAK SHARP
EDGES

MATERIAL:

WEIGHT(g): 2560.80

DWG NO.

IQ16S5SR-000

A4

SCALE:1:5

SHEET 1 OF 1