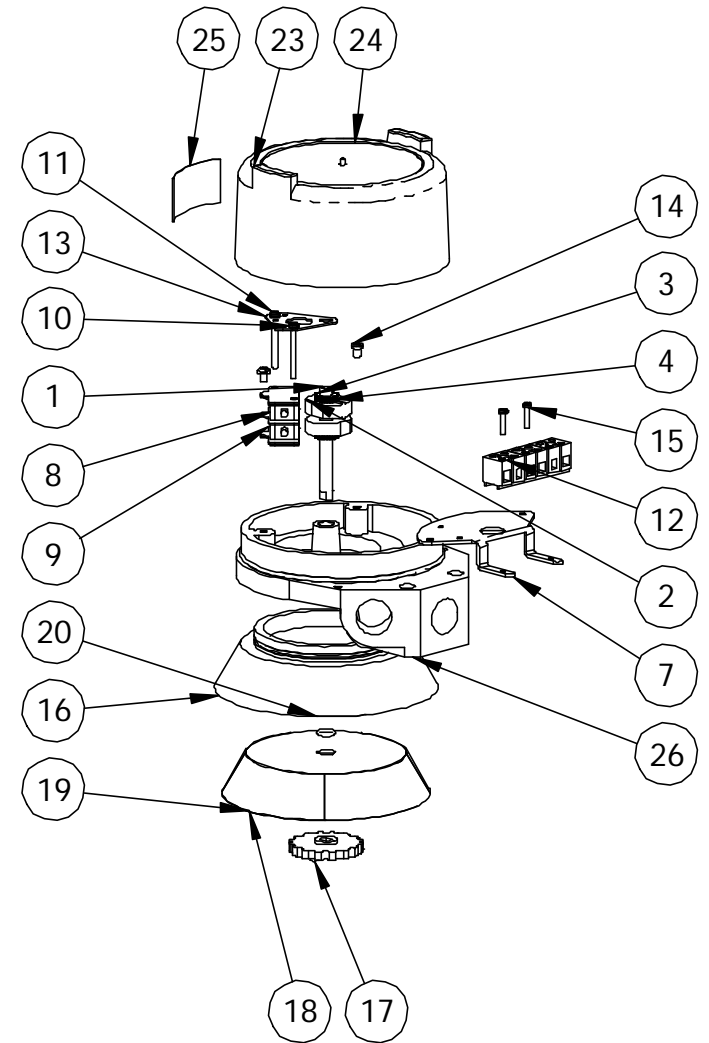


ITEM NO.	PART NUMBER	DESCRIPTION	Default/QTY.
1	B120044	EQ/AQ/IQ Shaft - 2 x Mech	1
2	B120003	Cam	2
3	B120004	Standard Spline	2
4	B120006	Roll Pin	2
5	407001	Housing O-Ring	1
6	407003	Shaft O-Ring	2
7	B130015	V3 Plate	1
8	A140003	V3 Proximity - NJ2-V3-N	2
9	413001	Switch Insulator	5
10	A100019	M3 Lockwasher SS	2
11	A100015	M3 x 30 Pan Hd	2
12	A110009	MK3-6 Terminal Block - Blue	1
13	411004	Switch Top Plate	1
14	A100098	M4 x 5 Pan Hd SS	2
15	A100164	M3 x 12 Pan Hd Screw	2
16	402039	Outer Indicator	1
17	403045	Drive Piece	1
18	404003	Inner Indicator Drum	1
19	416039	Inner Indicator Label	1
20	416142	Outer Indicator Label	2
21	407004	Indicator O-Ring	1
22	A100096	M4 x 8 Set Screw	1
23	C110102	Small Cover - SS	1
24	A160104	AQ ATEX Sticker	1
25	A160116	ATEX - 'W' Label	1
26	C100107	M20 Housing - SS	1



REV	DRAWN	DATE	CHK'D	ECO
	PT	25.3.04		
-				

UNLESS OTHERWISE SPECIFIED:  
DIMENSIONS ARE IN MILLIMETERS  
SURFACE FINISH:  
TOLERANCES:  
LINEAR:  
ANGULAR:

TITLE:  
**AQ Monitor w/ 2 x NJ2-V3-N - ATEX**

This private & confidential drawing is the property of Imtex Controls Limited, Tonbridge, UK and cannot be copied or reproduced without the express written permission of the Company.

**Imtex Controls Limited**  
Unit 5A, Valley Industries, Hadlow Road  
Tonbridge, Kent, TN11 0AH, United Kingdom  
Tel: +44(0)1732-850360 Fax: +44(0)1732-852133  
Website: [www.imtex-controls.com](http://www.imtex-controls.com)

DEBUR AND  
BREAK SHARP  
EDGES  
MATERIAL:  
WEIGHT(g): 2535.64

DWG NO. **AQ42S5SR-WOO**

A4

SCALE:1:1

SHEET 1 OF 1