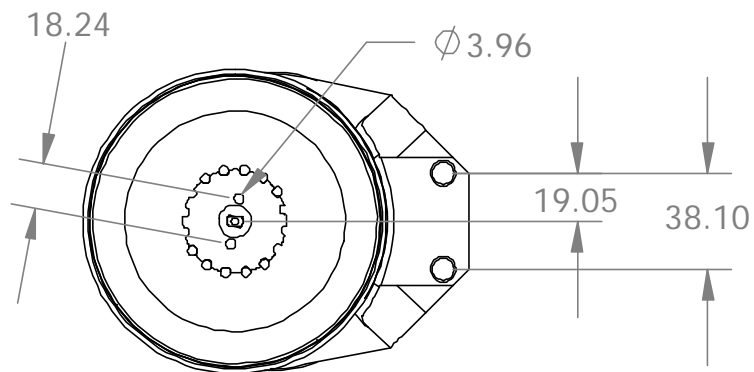


SECTION B-B
SCALE 1 : 3



A

Previously Vellum Drawing

REV	DRAWN	DATE	CHK'D	ECO	UNLESS OTHERWISE SPECIFIED: DIMENSIONS ARE IN MILLIMETERS SURFACE FINISH: TOLERANCES: LINEAR: ANGULAR:	TITLE:
	PT	23.2.05				

This private & confidential drawing is the property of Imtex Controls Limited, Tonbridge, UK and cannot be copied or reproduced without the express written permission of the Company.

Imtex Controls Limited
Unit 5A, Valley Industries, Hadlow Road
Tonbridge, Kent, TN11 0AH, United Kingdom
Tel:+44(0)1732-850360 Fax:+44(0)1732-852133
[Website: www.imtex-controls.com](http://www.imtex-controls.com)

DEBUR AND
BREAK SHARP
EDGES
MATERIAL:
WEIGHT(g): 2529.21

DWG NO.	J100100-S	A4
SCALE:1:5	SHEET 1 OF 1	