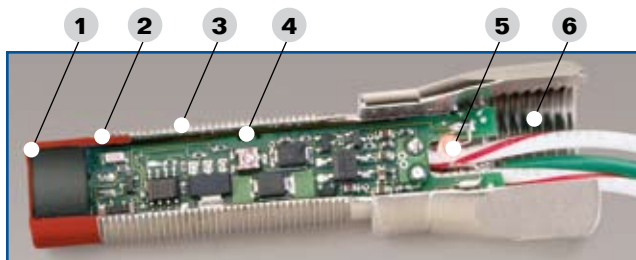


Hawkeye

The solid state Hawkeye sensor is ideal for point sensing in corrosive and hazardous process environments. The standard Red/Green LEDs also speed your setup and installation by confirming power up and switch status.

The Hawkeye is rated for use in hazardous areas using nonincendive intrinsically safe protection concepts.



1. Lexan® Sensing Head Triggers on Any Metal

Inductive sensing technology detects metal targets at distances up to 4mm.

2. Stainless Steel Body is Rugged and Corrosion Proof

Hawkeye sensors are machined from a solid block of 316 stainless steel.

3. Stainless Steel Lock Washers and Fasteners Secure Hawkeye Permanently to Mount

Adaptor brackets are available in L or straight.

4. Circuit is Conformally Coated and Potted

Hawkeye sensor may be fully submersed and is shock and vibration tolerant.

5. High Intensity LED Brightly Displays Switch Status

Red and green LEDs may be selected to indicate open or closed status.

6. 1/2" Conduit Entry or Mini-Connector Available

Choose from a direct conduit entry for hazardous areas or a plug-in mini-connector for rapid attachment in general purpose environments.

Linear Applications

Each pair (red and green) of Hawkeye sensors is tuned to operate independently in either long stroke or short stroke applications down to 6mm (1/4 inch). The Hawkeye may be triggered by existing valve hardware eliminating costly magnets and triggering systems and cutting installation time.

Model Selector

HK	Function*	Housing	Conduit/Connectors	Features
30	SST Sensors Normally Open	7 Stainless Steel	7 1/2" NPT 8 3-Pin Mini-Connector in Stainless Steel	SR Red LED SG Green LED
31	SST Sensors Normally Closed			
40	Namur (DIN 19234)			
* For 3-wire sensors (PNP, NPN) please consult factory.				

SST Switching Sensors (30 and 31)

Maximum Current	
Inrush	2.0 Amps
Continuous	0.3 Amps @ 125VAC/VDC
Minimum Current	2.0 mA
Max. Leakage Current	0.5 mA
Voltage Range	8 to 125VDC / 24 to 125VDC
Max. Voltage Drop	6.5V @ 10 mA / 7.0V @ 100 mA

Namur Sensor (40)

Output	Conforms to DIN 19234
Current Ratings	Target On <1.0 mA Target Off >3.0 mA
Voltage Range	6 to 29 VDC

Specifications and Ratings

Materials of Construction

Housing and Fasteners	316 Stainless Steel
Sensing Head	Lexan® Polycarbonate
LED Lens	Polycarbonate

Other Specifications

Conduit Connection	1/2" NPT
Wiring	36" (0.9 meter) length, 18 gauge multi-strand
Sensing Distance	4mm* (0.16 inches)
Temperature Range	-40° to 82° C (-40° to 180° F)
Warranty	Five Years

* sensing distance will vary depending on target material.

Nonincendive Ratings

NEC/CEC	Class I, Div. 2 Groups A,B,C,D Class II, Div. 2 Groups F,G
---------	---

Intrinsically Safe Ratings

NEC/CEC (applies to Function 30 & 31 with 1/2" NPT)	Class I, II, III, Div. 1 All Groups
--	-------------------------------------

Enclosure Protection

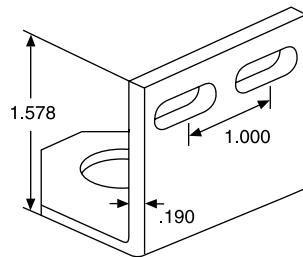
NEMA	4, 4X and 6; IP67
------	-------------------



Dimensions

Inches [mm]

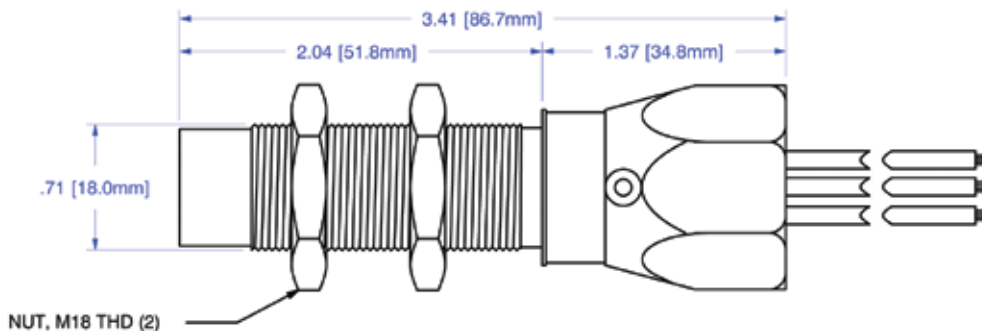
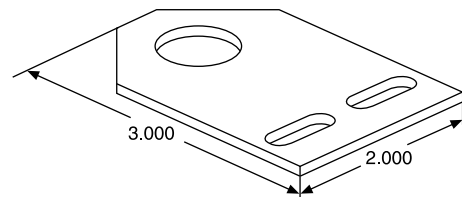
Adaptor L Bracket
Model Number 425552
Dimensions



Adaptor Straight Bracket

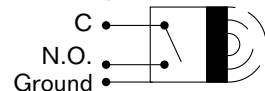
Model Number 425551

Dimensions

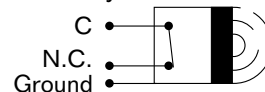


Wiring Diagrams

Normally Open (Function 30)



Normally Closed (Function 31)



Namur (Function 40)

